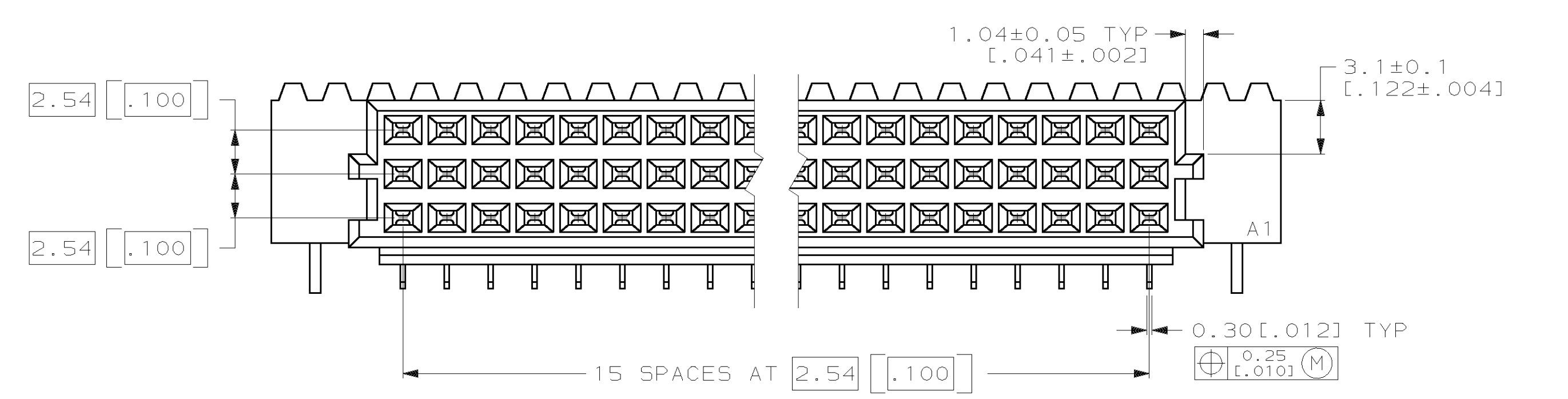
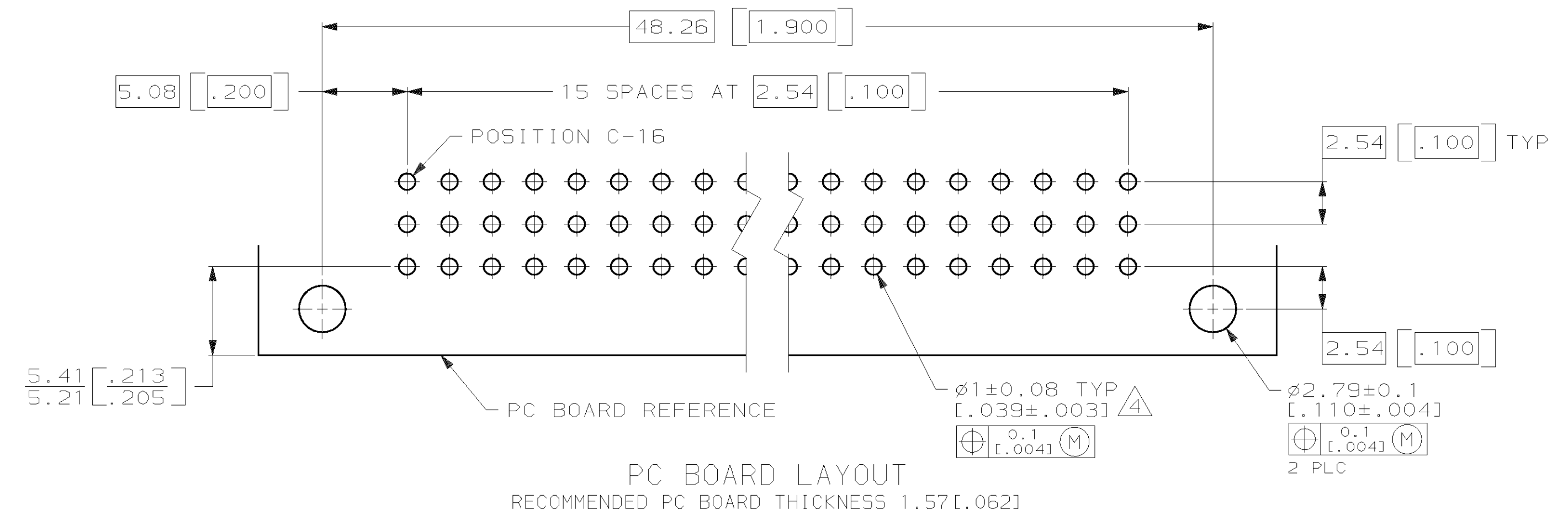
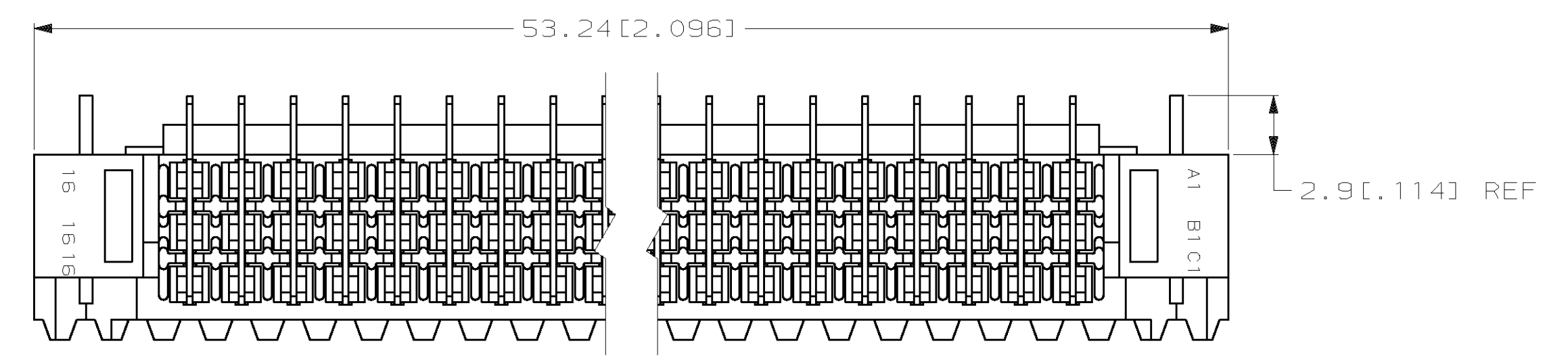
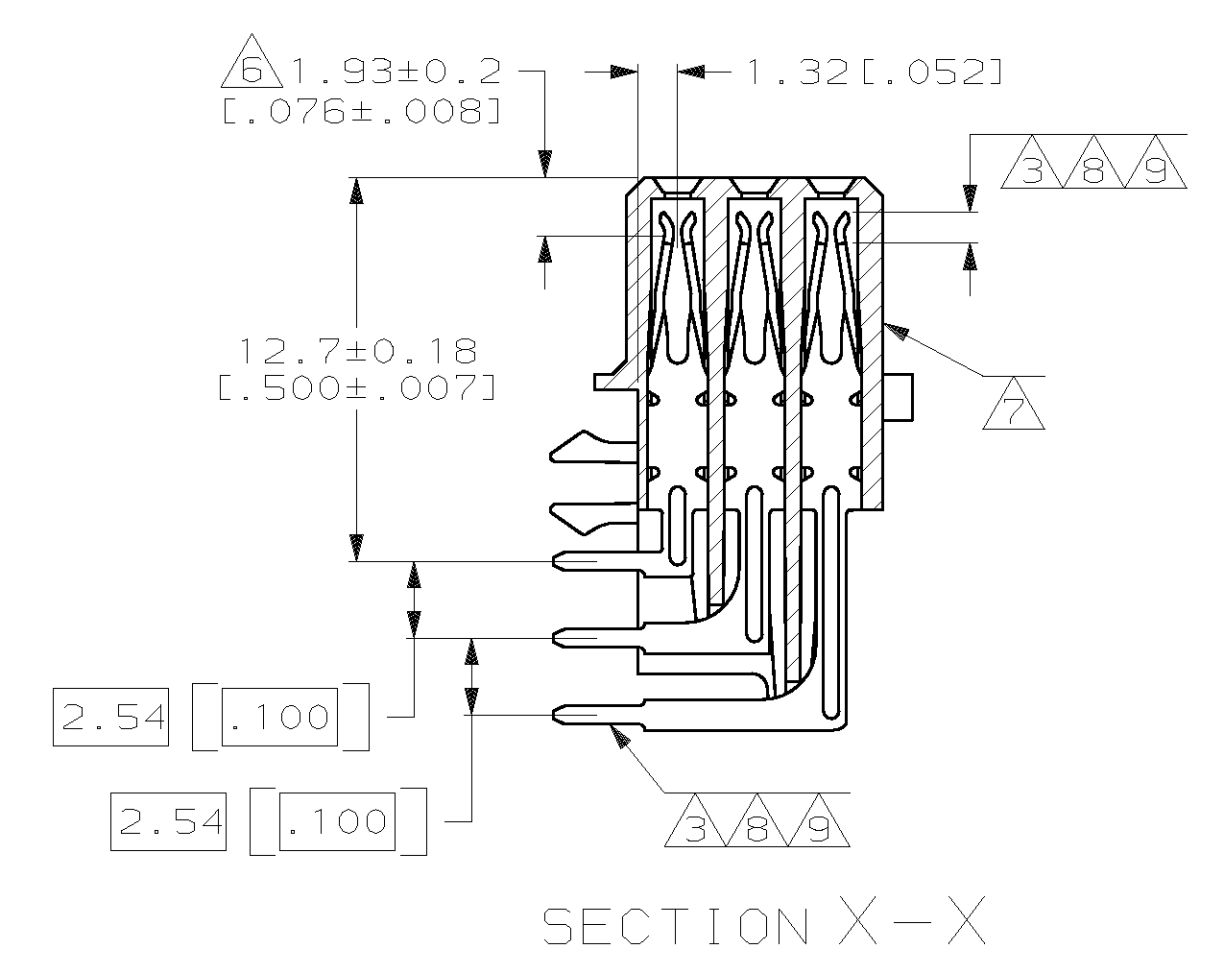
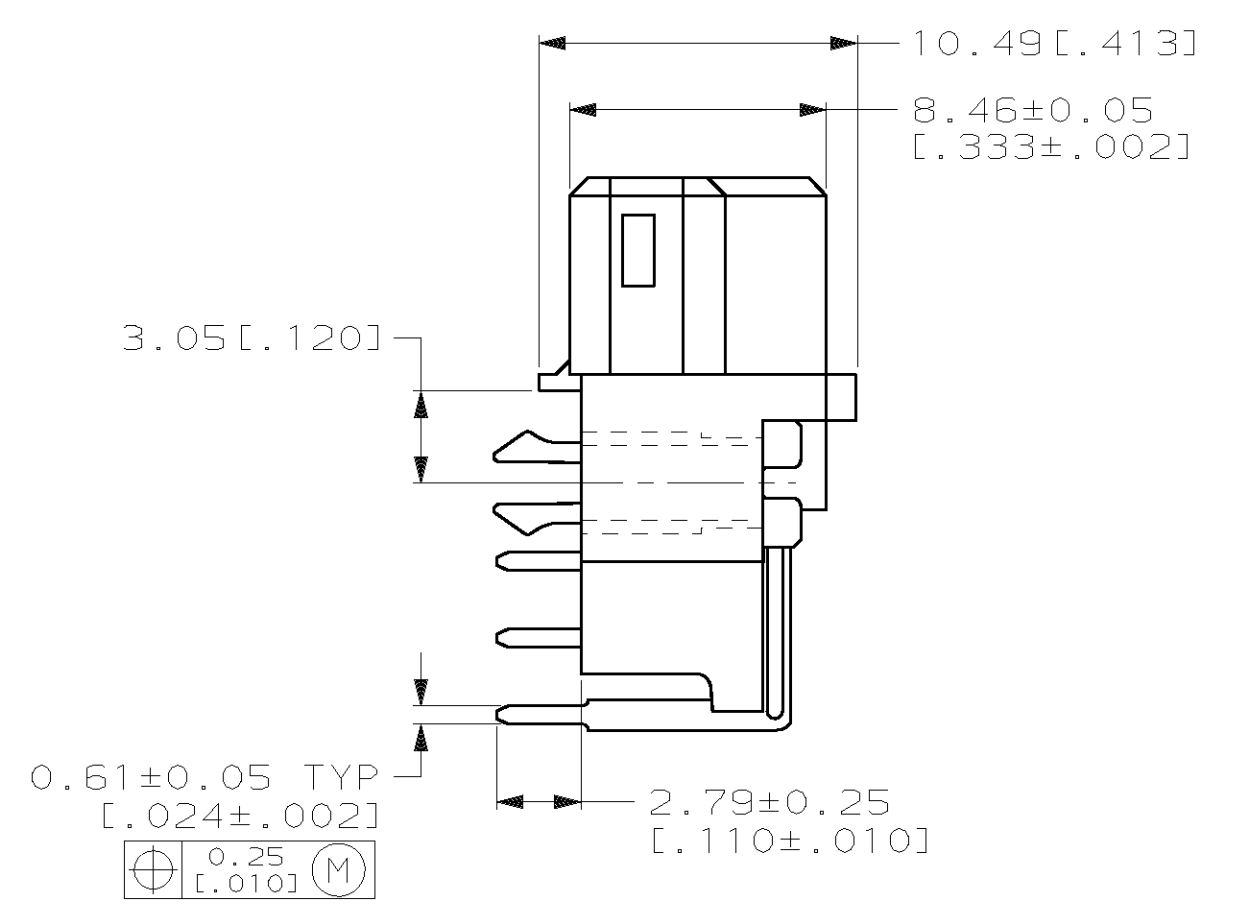
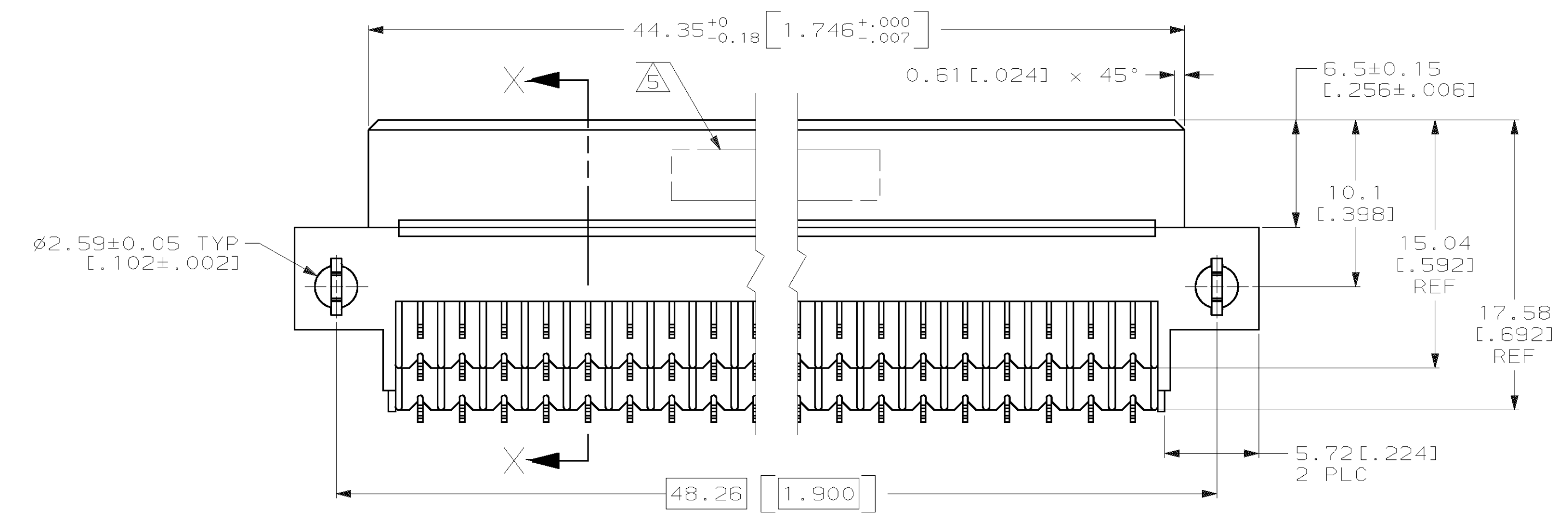


LOC		DIST		P		F		ZONE		LTR		REVISIONS			
AD	25											DESCRIPTION	DATE	APPD	
												N	REV PER EC 0512-0016-03	09JAN04	AS



- △ HOUSING MATERIAL: GLASS-FILLED POLYESTER. COLOR: GRAY.
- △ CONTACT MATERIAL: PHOSPHOR BRONZE.
- △ CONTACT FINISH: 0.00076 [0.00030] GOLD IN CONTACT AREA. 0.00127 [0.00050] NICKEL UNDERPLATE ALL OVER. TIN-LEAD ON POSTS.
- △ RECOMMENDED HOLE SIZE FOR MANUAL APPLICATION OF CONNECTOR ONTO PC BOARD. APPROXIMATE AREA.
- △ PART NUMBER, DATE CODE IDENTIFICATION, CSA LOGO HOT-STAMPED THIS APPROXIMATE AREA.
- △ CONTACT POINT.
- △ HOT-STAMPING ON THIS SIDE.
- △ POST FINISH: DIN 41612 CLASS 3 IN CONTACT AREA. TIN-LEAD PLATE ON POSTS.
- △ POST FINISH: DIN 41612 CLASS 2 IN CONTACT AREA. TIN-LEAD PLATE ON POSTS.



**OBSOLETE**

NOTES	POSITIONS LOADED	C	B	A	NO. OF LOADED POSITIONS	PART NUMBER
		X	X	X	48	650893-9
		X	X	X	48	650893-5
		X	X	X	48	650893-4

DO NOT SCALE PRINT. UNLESS SPECIFIED DIMENSIONS IN mm [INCHES] TOLERANCES ON: 1 PLC DEC ± 0.13 [0.005] ANGLES ± -	DR L. BRINER 10/16/90 CHK N. DRASHER 10/24/90 APPD N. DRASHER 10/24/90 MATERIAL HOUSING: △ CONTACT: △ FINISH CONTACT: △△△	10/16/90 10/24/90 10/24/90 10/25/90	AMP INCORPORATED Harrisburg, Pa. 17105	
RECEPTACLE ASSEMBLY, EUROCARD, TYPE .5R WITH BOARD LOCKS	NAME	SIZE D	CAGE CODE 00779	DRAWING NO 650893
APPLICATION SPEC -	PRODUCT SPEC -	SCALE 4:1	SHEET 1 OF 1	