

AC Filter Cost Optimized

Standard- or Medical-Filter



Description

- Line filter in standard and medical version
- 1-stage
- standard attenuation

Approvals

- VDE Certificate Number: 40004673
- UL File Number: E72928

Characteristics

- Designed for universal industrial applications
- High attenuation at maximum resp. asymmetric load independent from the line impedance
- Protection against interference voltage from the mains
- Possible interferences generated in the equipment are strongly attenuated
- Especially designed for industrial applications such as: Frequency Converters, Stepper Motor Drives, UPS-Systems, Inverters
- Suitable for use in equipment according to IEC/UL 60950
- Suitable for use in medical equipment according to IEC/UL 60601-1

Other versions on request

- Version with wire connection

References

Alternative: Standard version

Weblinks

[pdf datasheet](#), [html-datasheet](#), [General Product Information](#), [Approvals](#), [CE declaration of conformity](#), [RoHS](#), [CHINA-RoHS](#), [REACH](#), [Distributor-Stock-Check](#), [Detailed request for product](#)

Technical Data

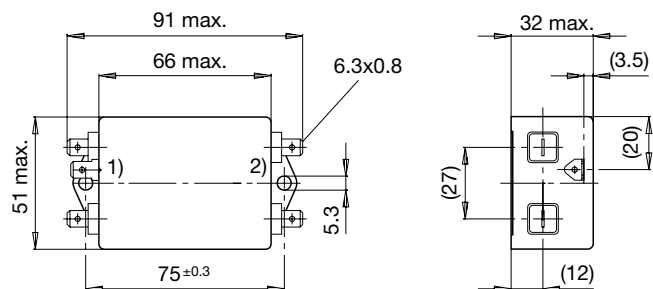
Ratings IEC	6 - 20A @ Ta 40 °C / 250 VAC; 50Hz
Ratings UL/CSA	6 - 20A @ Ta 40 °C / 125 VAC; 60Hz
Leakage Current	standard < 0.35mA (250V / 60Hz)
Dielectric Strength	1.7 kVDC between L-N 2.7 kVDC between L/N-PE Test voltage (2 sec)
Allowable Operation Temperature	-25 °C to 100 °C
Climatic Category	25/100/21 acc. to IEC 60068-1
Protection Class	Suitable for appliances with protection class I acc. to IEC 61140
Terminal	Quick connect terminals 6.3 x 0.8 mm
Material: Housing	Aluminum

Line Filter	Standard and Medical Version, IEC 60939, UL 1283, CSA C22.2 no. 8 Technical Details
MTBF	> 200'000h acc. to MIL-HB-217 F

Detailed information on product approvals, code requirements, usage instructions and detailed test conditions can be looked up in [General Product Information](#)

Dimension

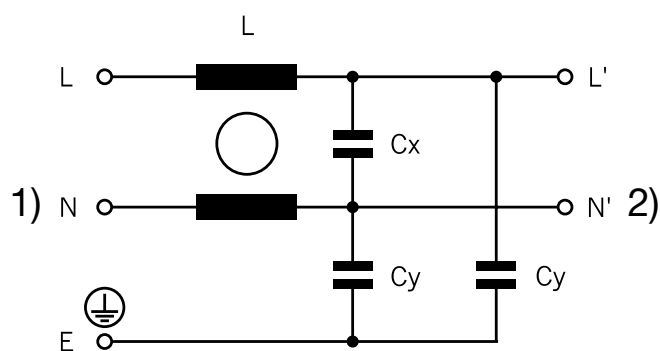
Case 49



- 1) Line
- 2) Load

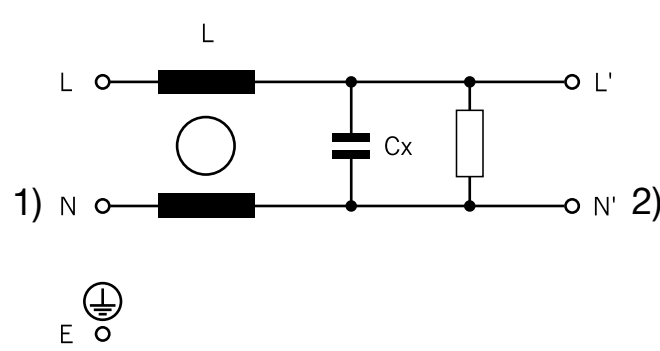
Diagrams

Standard version



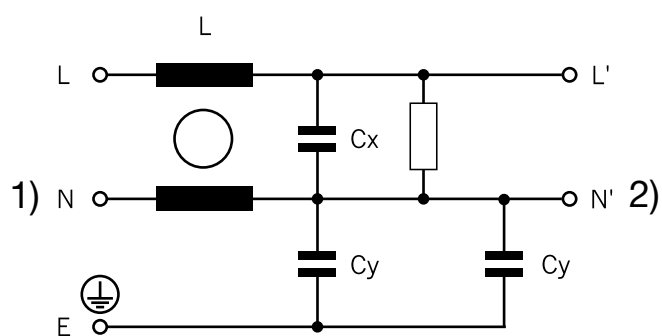
- 1) Line
- 2) Load

Medical version (M5)



- 1) Line
- 2) Load

Medical version (M80)



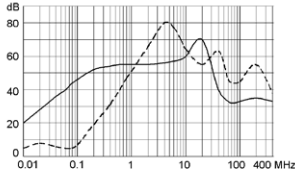
- 1) Line
- 2) Load

Attenuation Loss

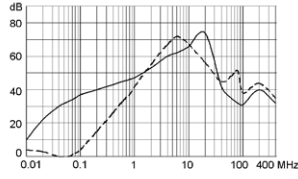
---- 50Ω differential mode — 50Ω common mode

Standard version

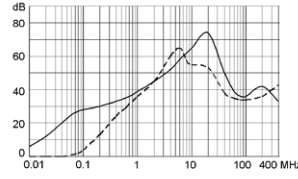
6 A



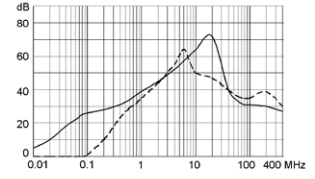
10 A



16 A

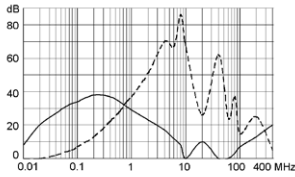


20 A

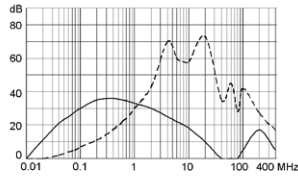


Medical version (M5)

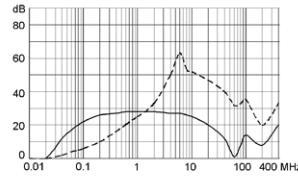
6 A



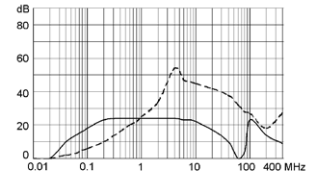
10 A



16 A

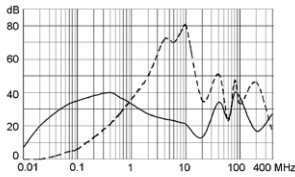


20 A

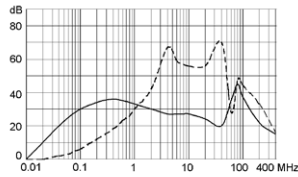


Medical version (M80)

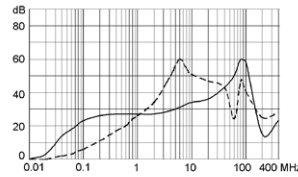
6 A



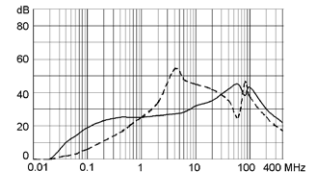
10 A



16 A



20 A



All Variants

Rated Current [A]	Filter-Type	L [mH]	Cx (X2) [µF]	Cy (Y2) [nF]	Weight [g]	Housings	Order Number
6	Standard Version	2 x 14	0.1	3.3	212g	49	5500.2035
10	Standard Version	2 x 5	0.1	3.3	212g	49	5500.2036
16	Standard Version	2 x 2	0.1	3.3	208g	49	5500.2037
20	Standard Version	2 x 1.5	0.1	3.3	218g	49	5500.2038
6	Medical Version (M5)	2 x 14	0.1	-	212g	49	5500.2082
10	Medical Version (M5)	2 x 5	0.1	-	212g	49	5500.2083
16	Medical Version (M5)	2 x 2	0.1	-	208g	49	5500.2084
20	Medical Version (M5)	2 x 1.5	0.1	-	218g	49	5500.2085
6	Medical Version (M80)	2 x 14	0.1	0.47	212g	49	5500.2094
10	Medical Version (M80)	2 x 5	0.1	0.47	212g	49	5500.2095
16	Medical Version (M80)	2 x 2	0.1	0.47	208g	49	5500.2096
20	Medical Version (M80)	2 x 1.5	0.1	0.47	218g	49	5500.2097

Most Popular.

Availability for all products can be searched real-time: <http://www.schurter.com/en/Stock-Check/Stock-Check-SCHURTER>

Packaging unit 10 Pcs