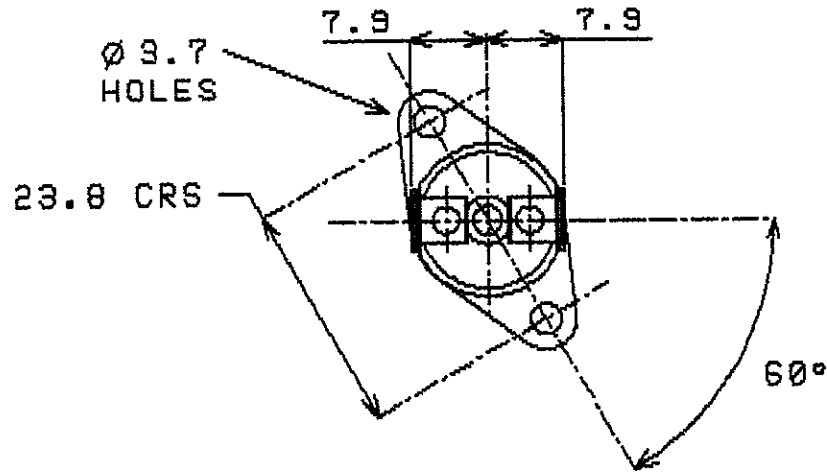


DO NOT SCALE ALL DIMENSIONS ARE FOR REFERENCE ONLY

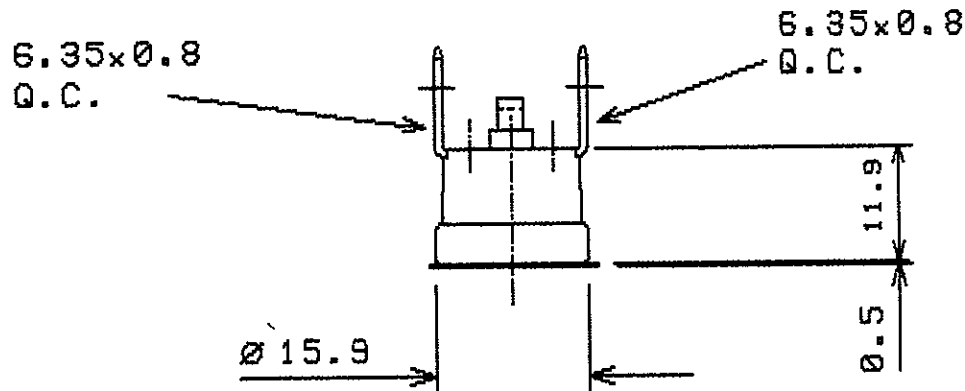
OPERATING CRITERIA



VOLTS; 250 AMPS; 13 HZ;

OPERATING TEMPS. DEG.C

OPEN; 100 ± 5
CLOSE; MR



ISSUE									
MOD No									
MTH/YR									

<p><u>CODING REQUIREMENTS</u> COLOUR; SILVER OR WHITE L100C 9082 470 XXX</p>	<p>CAP; MAT'L; BRK'T; B201A18 MAT'L; ST/STEEL</p>	<p>ELMWOOD DEVICE & UNIQUE PART No 2455RM-9082-470</p>	<p>ELMWOOD ORG No. 965183</p>	<p>ISSUE</p>
	<p>PLATING; TERMINAL; T147 T147 MATERIAL; BRASS BRASS PLATING;</p>	<p>E ELMWOOD SENSORS LTD</p>	<p>DATE OF ISSUE STAMP <i>Sealed</i> 30 JUL 1996</p>	