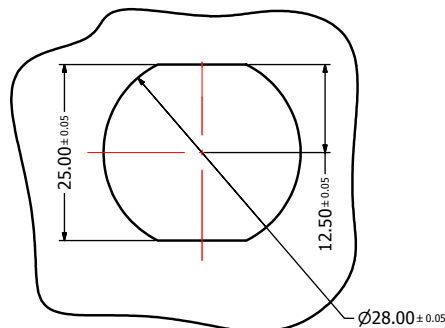
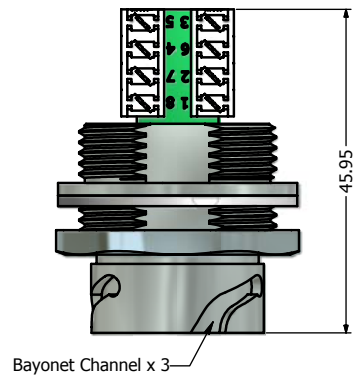


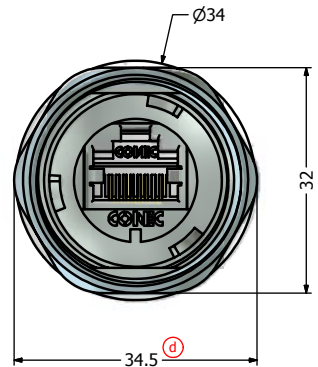
Recommended Single-D ⓐ
Panel Cutout



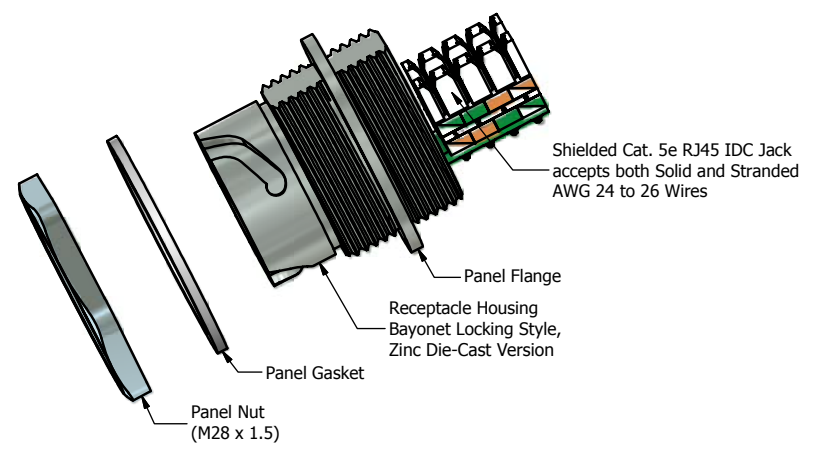
Recommended Double-D ⓐ
Panel Cutout



Bayonet Channel x 3



ⓐ

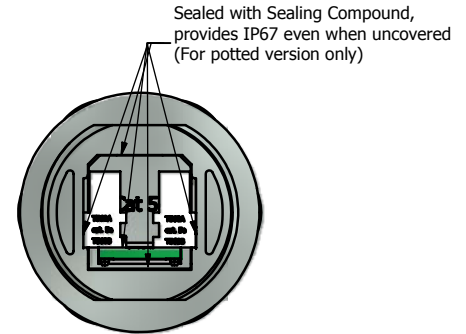
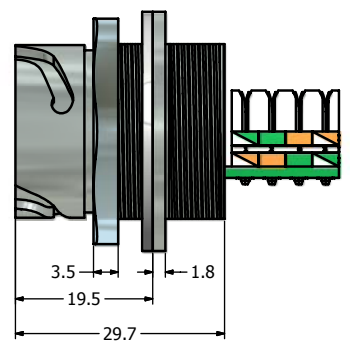


Shielded Cat. 5e RJ45 IDC Jack
accepts both Solid and Stranded
AWG 24 to 26 Wires

Panel Flange
Receptacle Housing
Bayonet Locking Style,
Zinc Die-Cast Version

Panel Gasket

Panel Nut
(M28 x 1.5)



Sealed with Sealing Compound,
provides IP67 even when uncovered
(For potted version only)

- Notes:**
- Electrical Specifications:
 - Meets EIA/TIA-568-B.2 Cat.5e Specification
 - Contact Resistance: 20mOhm max.
 - Insulation Resistance: 500MOhm min. @ 100 VDC
 - Current Rating: 1.2A max. at 25° C
 - Working Voltage: 100 VDC
 - DWV: 1000 VDC/60s Contact to Contact, 1500 VDC/60s Contact to Metal Shell
 - Operating Temperature: -40° C to +85° C
 - Material and Finish:
 - Receptacle Housing: Zinc Die-cast, Finish: Nickel Plated
 - Panel Nut: Brass, Finish: Nickel Plated
 - Panel Gasket: Silicon, Color: White
 - RJ45 IDC Jack Metal Shell: Copper Alloy, Nickel Plated
 - RJ45 IDC Jack Plastic Housing: Glass filled PBT UL94 V-0, Color: Black
 - RJ45 IDC Jack Contacts: Phosphor Bronze, Finish: 50u" Gold min. over Nickel
 - Connector can be front or rear mounted to a maximum panel thickness of 3.2mm.
 - IP67 rated when fully mated with the appropriate connector
 - RoHS compliant

Directive 2002/95/EC RoHS Compliant

ⓐ ⓐ	Description	Part Number
	Nickel Plated Zinc Die-Cast with Shielded Cat5e RJ45 IDC Jack	17-101774
	Potted Nickel Plated Zinc Die-Cast with Shielded Cat5e RJ45 IDC Jack	17-102174

THIS DRAWING MAY NOT BE COPIED, OR REPRODUCED IN ANY WAY AND MAY NOT BE PASSED ON TO A THIRD PARTY WITHOUT WRITTEN PERMISSION. OWNERSHIP AND COPYRIGHT OF CONEC CORPORATION. DO NOT ALTER CAD DRAWING BY HAND	Customer:			Tolerance Unless otherwise specified			Scale: NTS	Dim. in mm	
	Name	Title	Approval Date	0 PLC ±0.50	1 PLC ±0.38		Autodesk Inventor	Material: See Notes	
				2 PLC ±0.25	3 PLC ±0.10	Draw. May 20 Vincent Ke	Title: Receptacle Assembly Kit with Cat. 5e RJ45 IDC Jack Nickel Plated Zinc Die-Cast Version		
				ANGLES ±3	Appd. May 20 J. Chaudry				
	d	3 x d	Mar/02/2011	Vincent ke	Norm		Drawing No.: 17K1A145		
c	1 x c	Jan/28/2011	Vincent Ke	D-old		Part No.: SEE TABLE ABOVE			
b	3 x b	Dec/16/2010	Vincent Ke			DIN A3			
a	original					Sheet 1/1			
Rev.	Changes	Date	Name	CONEC					