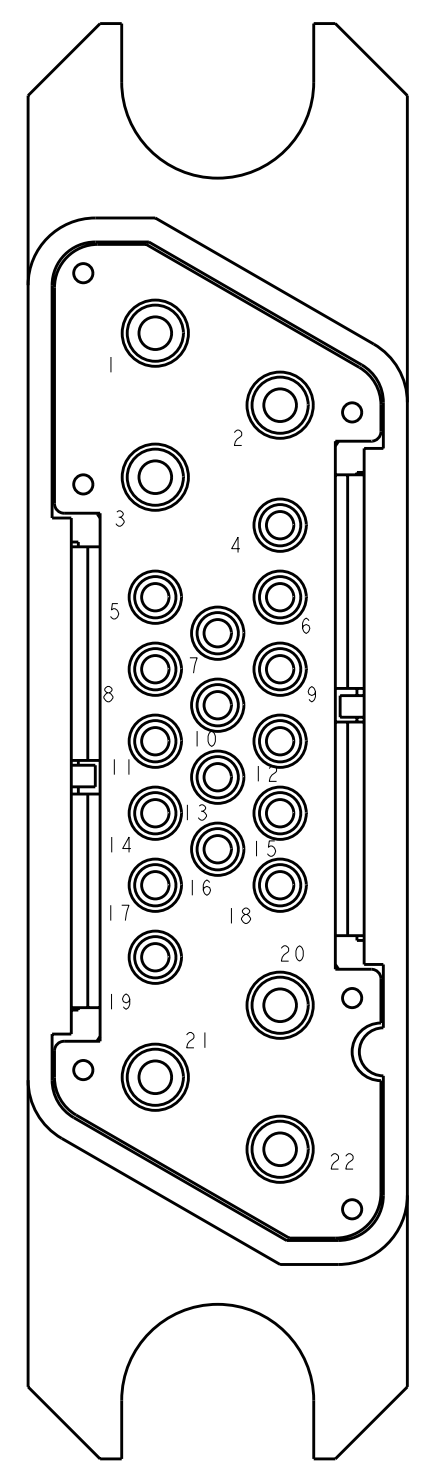
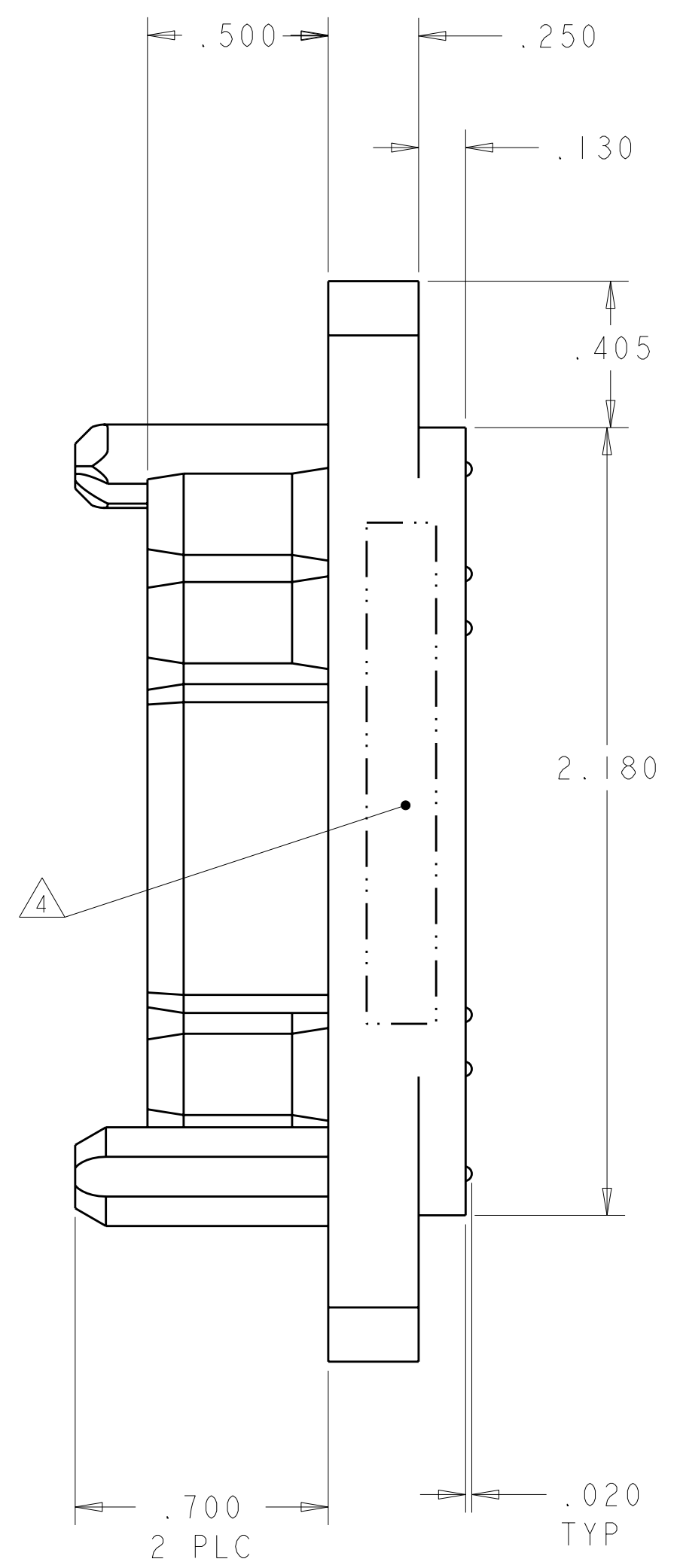
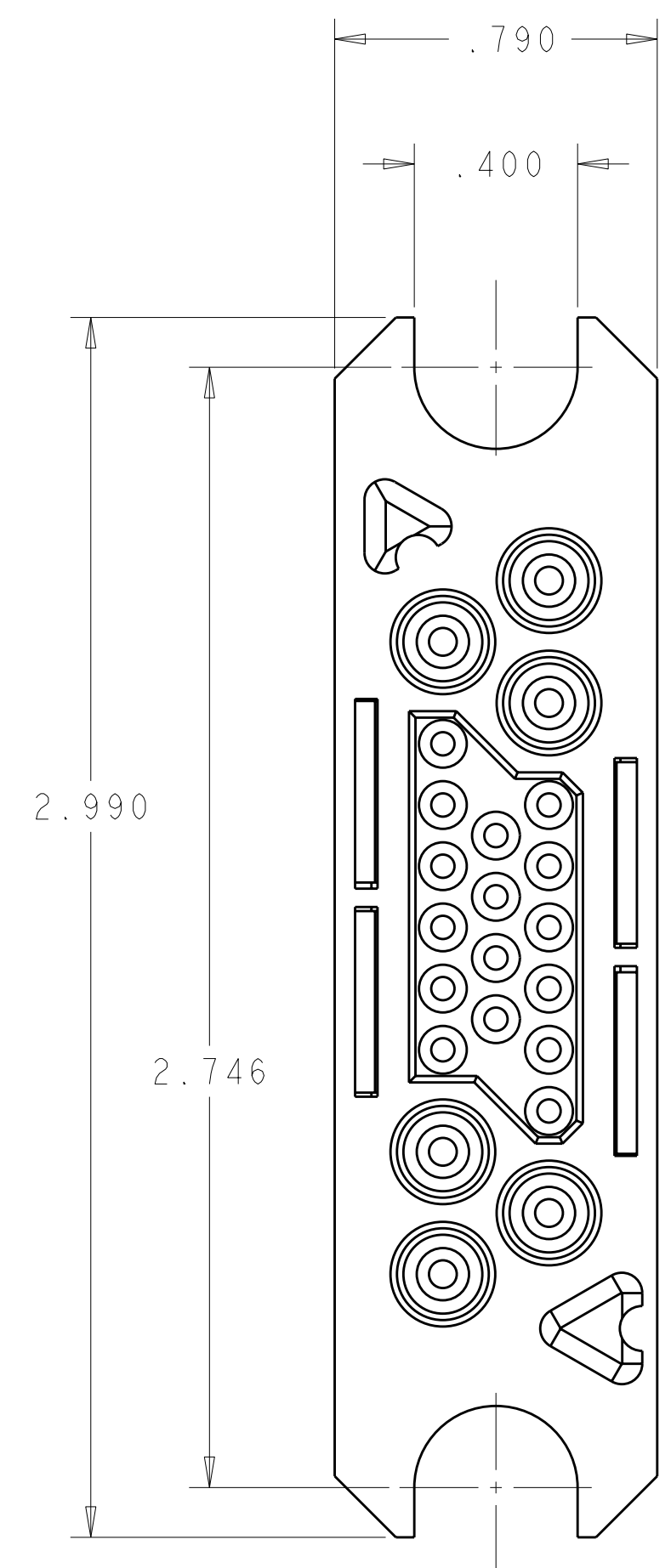


THIS DRAWING IS UNPUBLISHED. RELEASED FOR PUBLICATION 20  
 © COPYRIGHT 20 BY TYCO ELECTRONICS CORPORATION. ALL RIGHTS RESERVED.

LOC	DIST	REVISIONS					
GP	00	P	LTR	DESCRIPTION	DATE	DWN	APVD
		A		RELEASED	08NOV2006	RG	DO
		B		REVISED PER ECO-07-009348	23APR2007	GIP	DO



SOCKET CONTACT (C)  
 SIZE #16

SOCKET CONTACT (B)  
 SIZE #20

SOCKET CONTACT (C)  
 SIZE #16

REAR VIEW

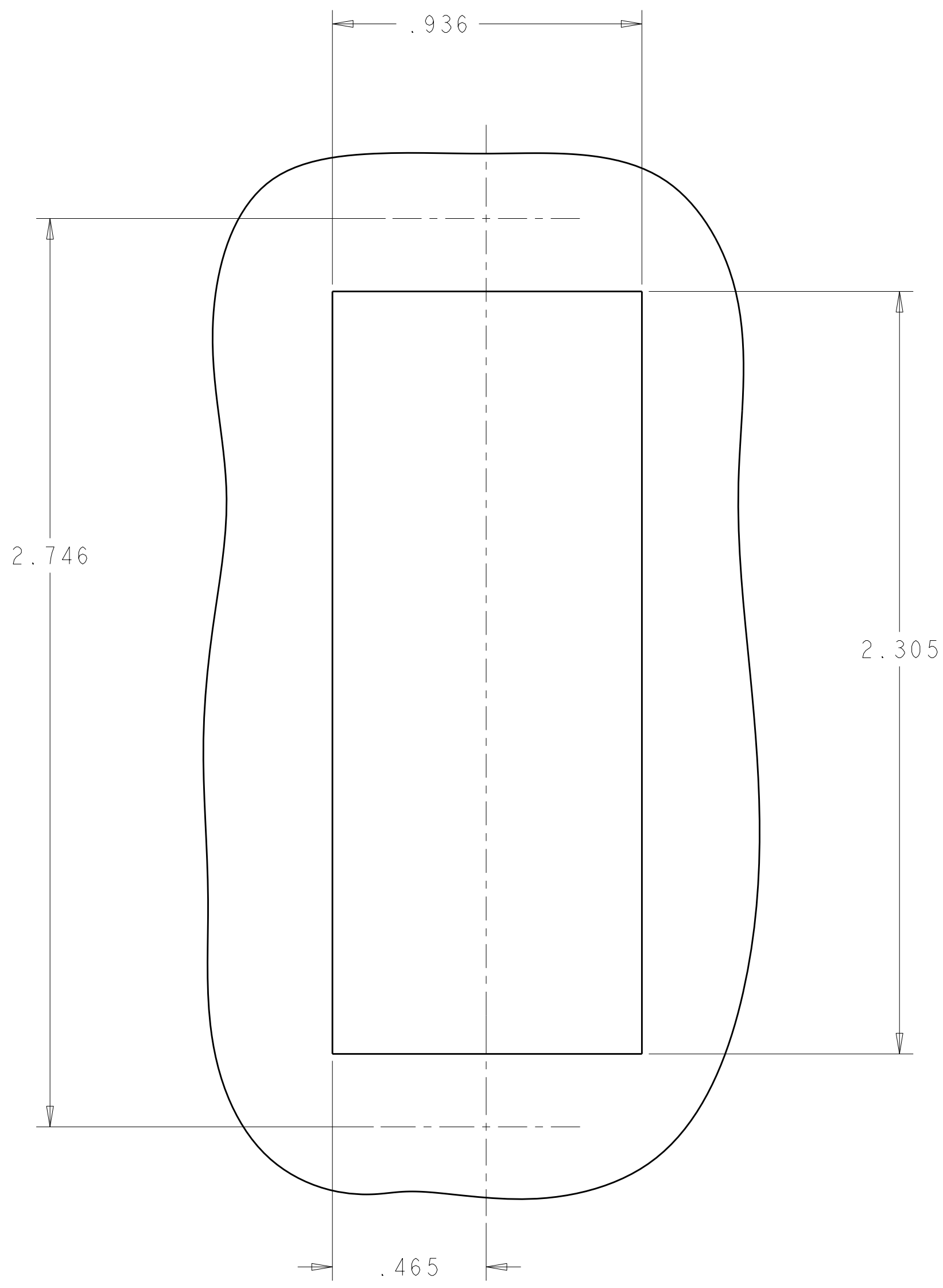
AS SHOWN	1926268-1
DESCRIPTION	PART NUMBER

THIS DRAWING IS A CONTROLLED DOCUMENT FOR TYCO ELECTRONICS CORPORATION. IT IS SUBJECT TO CHANGE AND THE CONTROLLING ENGINEERING ORGANIZATION SHOULD BE CONTACTED FOR THE LATEST REVISION.		DWN R. GRZYBOWSKI 08NOV06	Tyco Electronics Harrisburg, PA 17105-3608	
DIMENSIONS: INCHES		CHK D. ORRIS 08NOV06	NAME CONNECTOR ASSEMBLY, SOCKET WITH CRIMP TAILS	
TOLERANCES UNLESS OTHERWISE SPECIFIED:		APVD S. FLICKINGER 08NOV06	SIZE A200779	
0 PLC ± 1 PLC ± 2 PLC ±.02 3 PLC ±.010 4 PLC ±		PRODUCT SPEC -	DRAWING NO C-1926268	
MATERIAL -		APPLICATION SPEC -	RESTRICTED TO -	
ANGLES FINISH		WEIGHT -	SCALE 3:1 SHEET 1 OF 2 REV B	
-		CUSTOMER DRAWING	-	

ELCON MINI DRAWER

THIS DRAWING IS UNPUBLISHED. RELEASED FOR PUBLICATION 20  
 © COPYRIGHT 20 BY TYCO ELECTRONICS CORPORATION. ALL RIGHTS RESERVED.

LOC	DIST	REVISIONS					
GP	00	P	LTR	DESCRIPTION	DATE	DWN	APVD
		-		SEE SHEET 1			



**SUGGESTED PANEL CUT OUT**  
VIEWED FROM MOUNTING SIDE

- PART NUMBER CHANGES AND OR DESIGN CHANGES AFFECTING THE INTERCHANGEABILITY REQUIRE PRIOR TYCO APPROVAL AND AUTHORIZATION BY REVISION TO THIS DRAWING.
- MATERIAL:  
 INSULATOR: THERMOPLASTIC, GLASS REINFORCED, UL 94V-0, FLAMMABILITY RATED, COLOR: BLACK  
 CONTACT BODY: COPPER ALLOY  
 CROWN BAND: BERYLLIUM COPPER  
 RETENTION CLIP: BERYLLIUM COPPER  
 SHOULDER SCREWS: STAINLESS STEEL
- FINISH:  
 CONTACT BODY SIZE #16 : GOLD .000200 MIN. THK.  
 OVER NICKEL .000040 MIN THK.  
 CONTACT BODY SIZE #20 : GOLD .000010 MIN. THK.  
 OVER NICKEL .000040 MIN THK.  
 CROWN BAND: GOLD (IN CONTACT AREA).000030 MIN. THK.  
 OVER NICKEL .000040 MIN THK.

△ ITEMS PROVIDED TO THIS SPECIFICATION TO BE PERMANENTLY IDENTIFIED PER THE FOLLOWING IDENTIFIER:  
 YEAR 1 WEEK 1  
 TYCO PART NUMBER                      DATE CODE (e.g. 0216)  
 XXXXXXX-X                                      XXXX

△ CRIMP CONTACTS AND SHOULDER SCREWS (ITEMS B THRU D) SHALL BE PACKAGED SEPERATELY AND PLACED IN THE BOX WITH THE CONN. ASSY.

6. CONNECTOR MATES WITH TYCO PN: 1926267-1

△5	2	1650589-1	SCREW, SHOULDER, M4 X 7	D
△5	6	6648319-1	CONTACT, SOCKET, SIZE #16, CRIMP	C
△5	14	1648325-1	CONTACT, SOCKET, SIZE #20, CRIMP	B
	1	1648116-2	HOUSING, SOCKET	A
	-1	PART NUMBER	DESCRIPTION	ITEM

**ELCON MINI DRAWER**

<small>THIS DRAWING IS A CONTROLLED DOCUMENT FOR TYCO ELECTRONICS CORPORATION. IT IS SUBJECT TO CHANGE AND THE CONTROLLING ENGINEERING ORGANIZATION SHOULD BE CONTACTED FOR THE LATEST REVISION.</small>		DWN R.GRZYBOWSKI 08NOV06 CHK D.ORRIS 08NOV06 APVD S.FLICKINGER 08NOV06	<b>tyco</b> Electronics Tyco Electronics Harrisburg, PA 17105-3608
DIMENSIONS: INCHES 	TOLERANCES UNLESS OTHERWISE SPECIFIED: 0 PLC ± 1 PLC ±.02 2 PLC ±.02 3 PLC ±.010 4 PLC ± ANGLES ± FINISH	PRODUCT SPEC APPLICATION SPEC WEIGHT	NAME CONNECTOR ASSEMBLY, SOCKET WITH CRIMP TAILS SIZE CAGE CODE DRAWING NO RESTRICTED TO A200779 C-1926268 -
MATERIAL		CUSTOMER DRAWING	SCALE 3:1 SHEET 2 OF 2 REV B