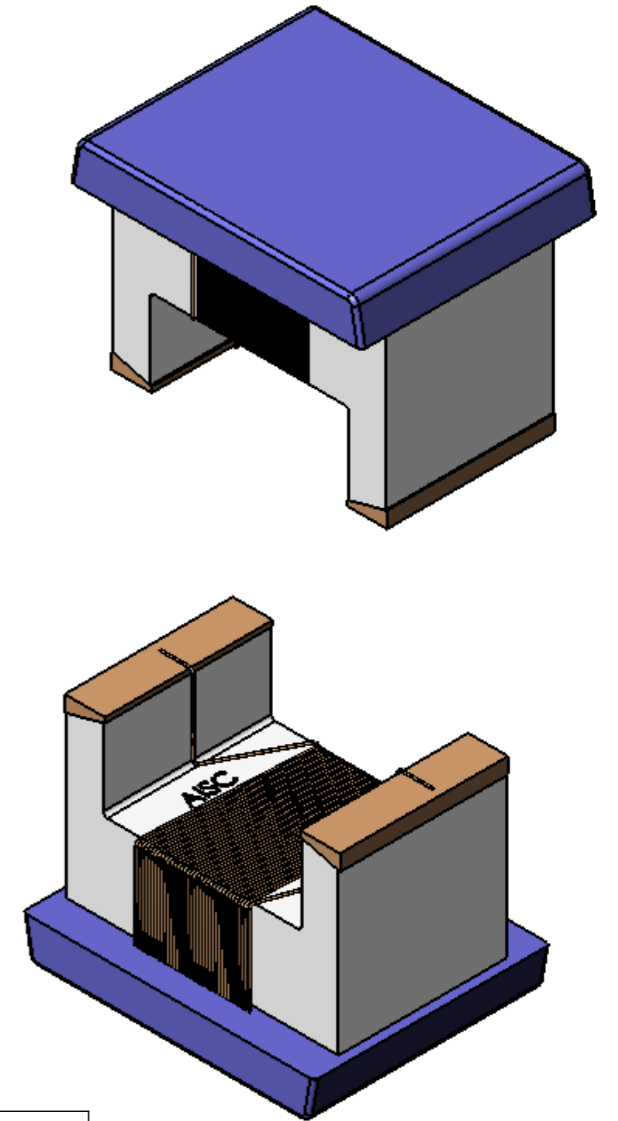
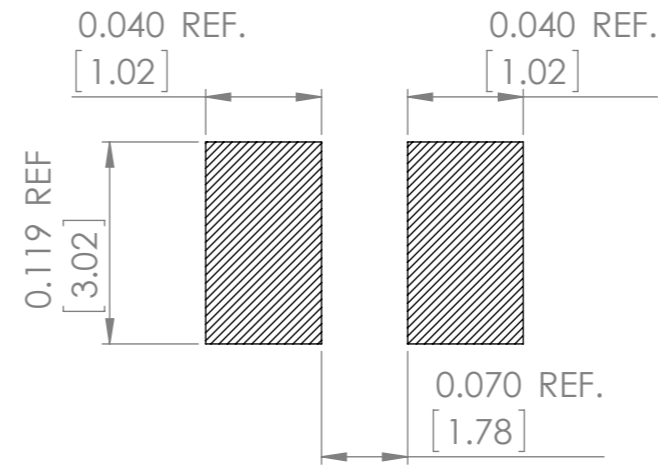



Recommended Land Pattern



NO	COMPONENTS	MATERIAL
A	Coating	Ultraviolet epoxy resin
B	Core	Ceramic
C	Wire	Polyurethane system enameled copper wire
D	Electrodes	Mo-Mn with Ni and Au plating

UNLESS OTHERWISE SPECIFIED: DIMENSIONS ARE IN INCH(MM) SURFACE FINISH: TOLERANCES: LINEAR: ANGULAR:		FINISH:	DEBUR AND BREAK SHARP EDGES	DO NOT SCALE DRAWING	REVISION -
NAME	SIGNATURE	DATE		 30332 Esperanza, Rancho Santa margarita, California 92688 Wirewound DWG NO. AISC-1210	
DRAWN SAAZVAT					
CHK'D XXXXXX					
APP'V'D					
MFG					
Q.A			MATERIAL:	SCALE:15:1	SHEET 1 OF 1
			WEIGHT:		A3