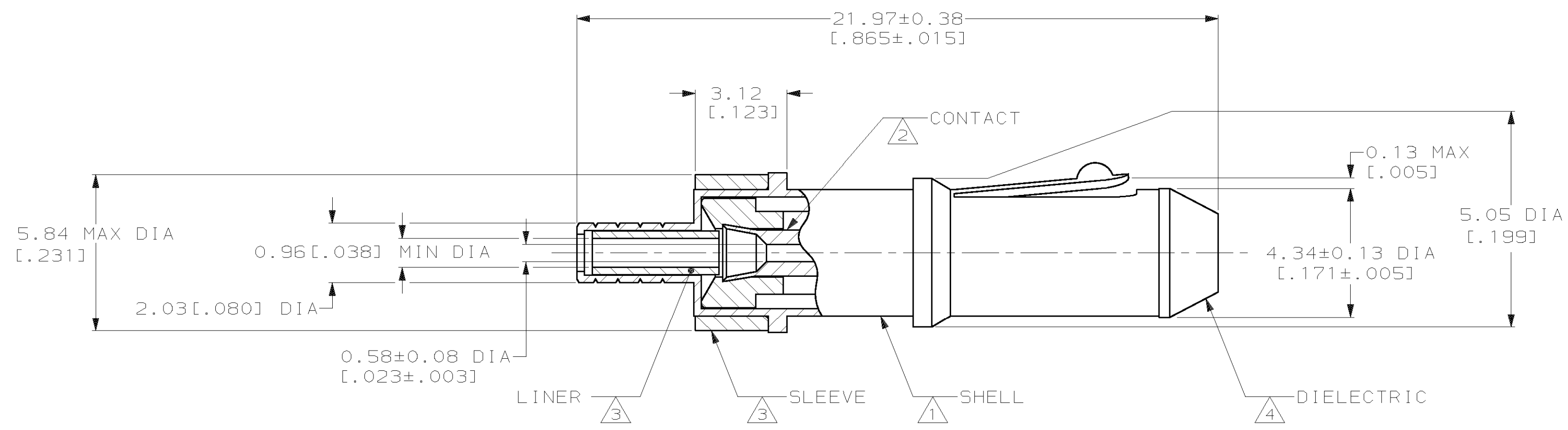
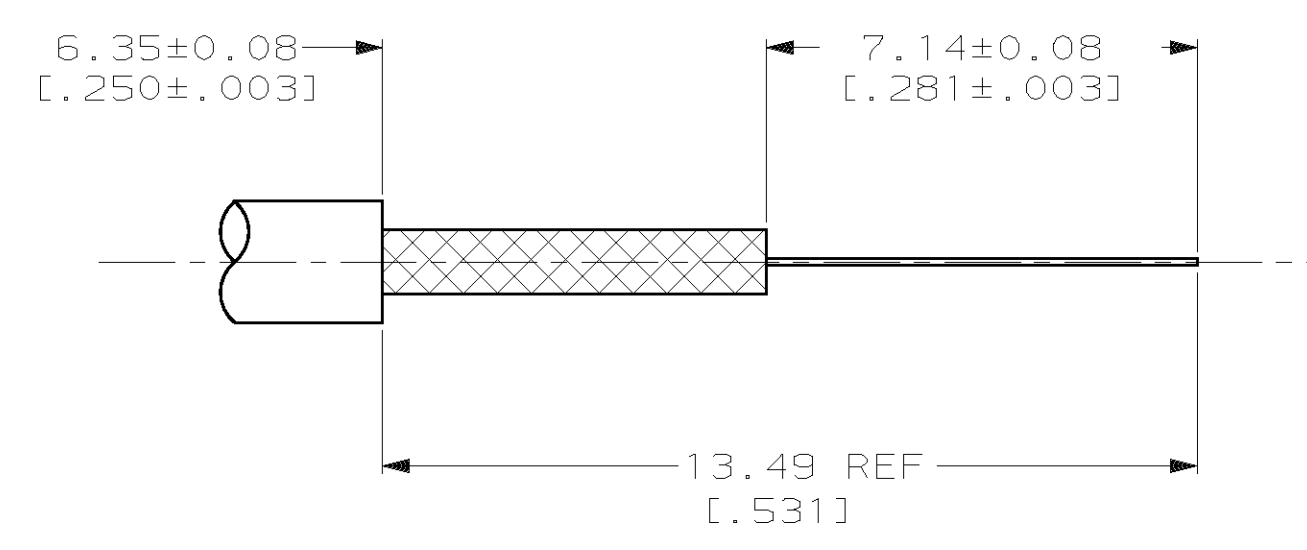


LOC		DIST		REV		ZONE		LTR		REVISIONS		DATE	APPD
AJ	16	P	F							AJ	REV PER 0020-0259-00	27JUN00	MO



- 1 BRASS PER QQ-B-626.
- 2 BERYLLIUM COPPER PER ASTM-B-196
- 3 NYLON PER ASTM-D-4066, BLACK
- 4 POLYMETHYLPENTENE GENERAL PURPOSE, NATURAL.
- 5 .00076 [.000030] MINIMUM GOLD PER MIL-G-45204.
- 6 .00254 [.000100] MINIMUM GOLD PER MIL-G-45204
- 7. SEE IS 1770.



RECOMMENDED STRIP LENGTH

OBsolete	6/5	6/5	.030 OUNCES	201511-3
			.030 OUNCES	201511-1
CONTACT PLATING	SHELL PLATING	WEIGHT	PART NUMBER	

DO NOT SCALE PRINT. UNLESS SPECIFIED DIMENSIONS IN INCHES TOLERANCES ON:		DR 1-8-90 J. LIPPERT		AMP INCORPORATED Harrisburg, Pa. 17105	
2 PLC DEC ± .008	3 PLC DEC ± -	CHK 2-23-90 M. SNEED	APPD 2-23-90 B. ADAMS	NAME	
ANGLES ± -		APPD 2-23-90 M. SNEED	PRODUCT SPEC 108-12021	PIN, MINIATURE SERIES	
FINISH		APPLICATION SPEC -	WEIGHT SEE TABLE	SIZE D	CAGE CODE 00779
				DRAWING NO 201511	
				SCALE 8:1	SHEET 1 OF 1