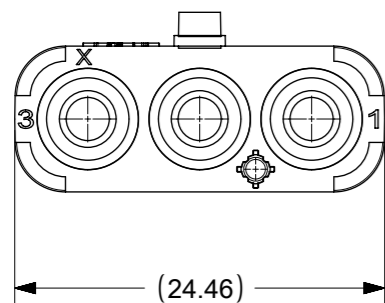


P/N 2018421031

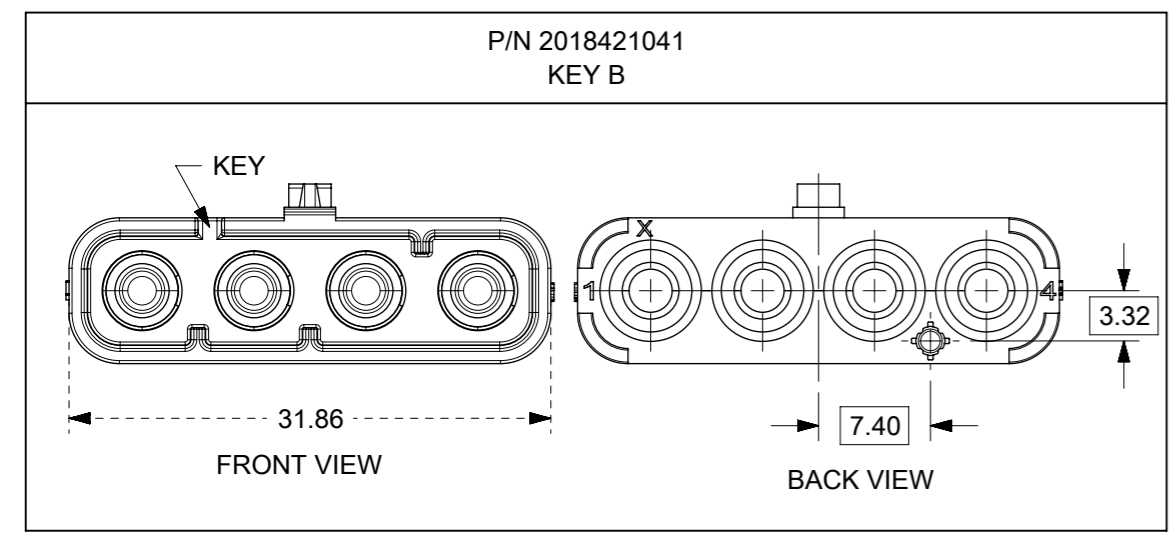
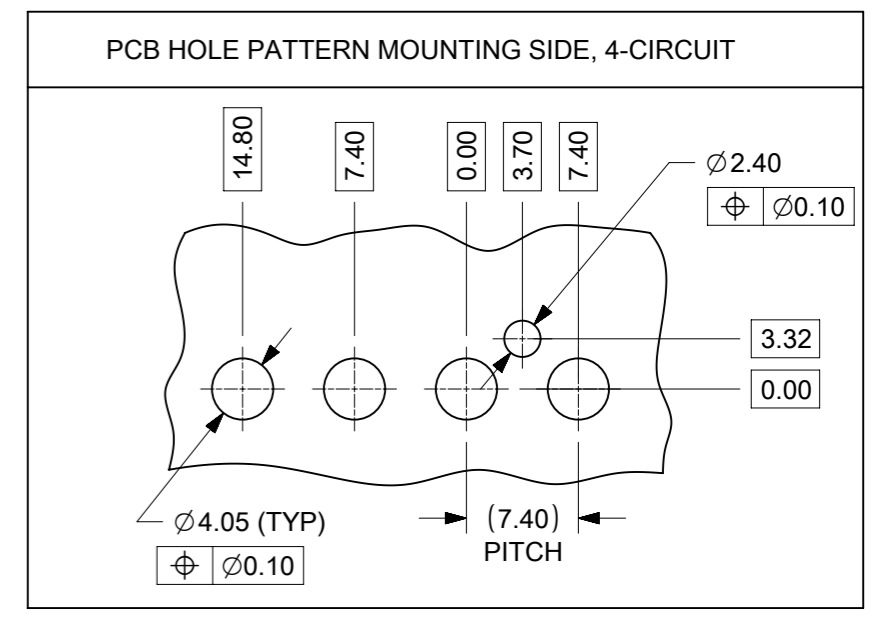
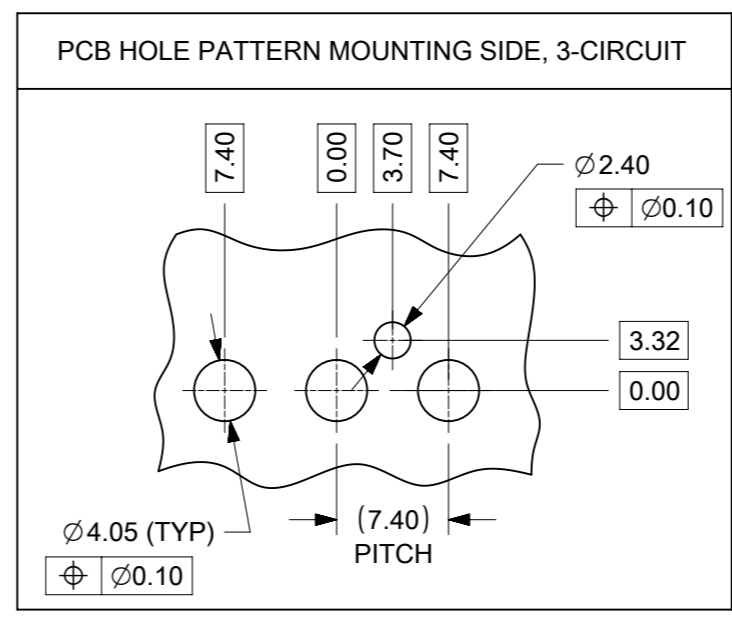
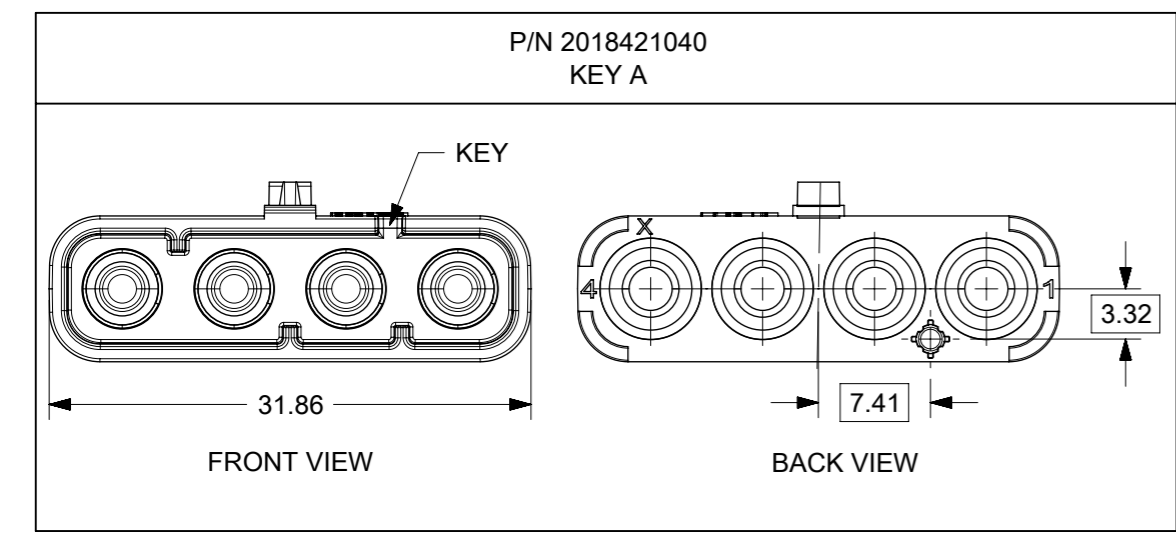
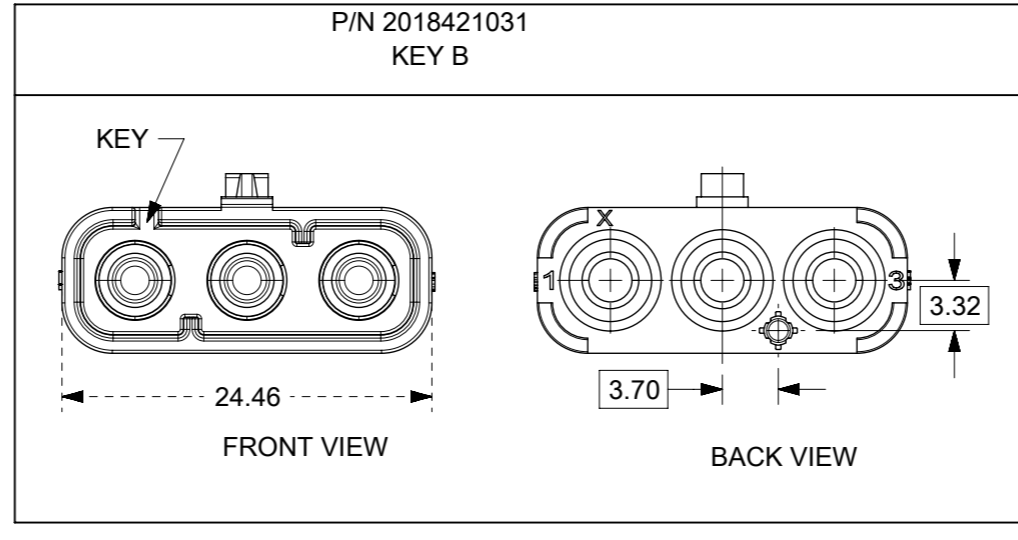
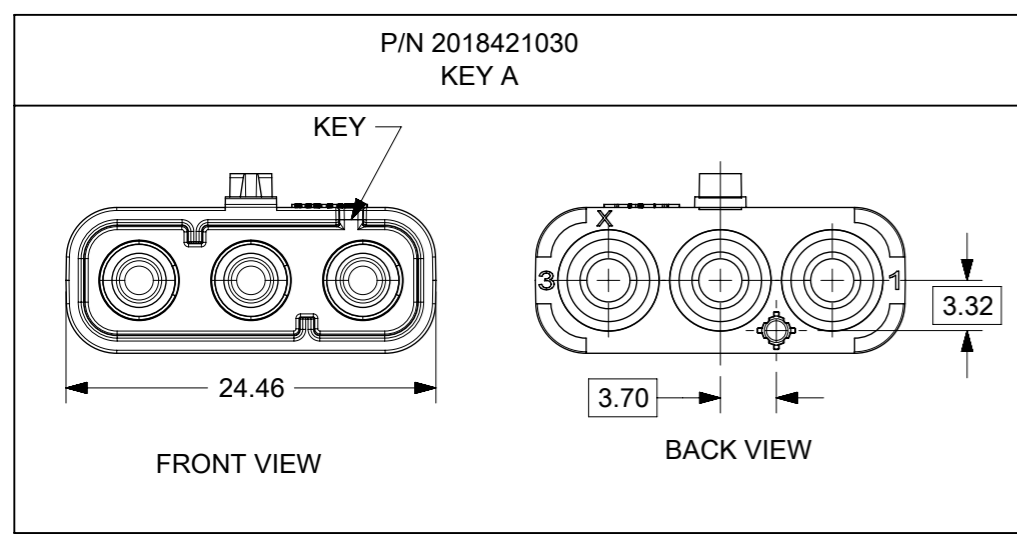


NOTES:

1. APPLICATION SPECIFICATION SEE: TBE
2. PRODUCT SPECIFICATION SEE: 2018400000-PS
3. COSMETIC STANDARD PS-45499-002 (CLASS B)
4. MATES WITH RECEPTACLE HOUSING SERIES 201841
5. HOUSING MATERIAL: PEI, UL RATED 94V-0; COLOR: SEE TABLE
6. TERMINAL MATERIAL: Cu ALLOY
7. SOLDERABILITY PER SMES-152
8. PLATING: MATING AREA : 0.1µm MIN Au OVER Ni  
TERMINATION AREA : 5µm MIN Sn OVER Ni
9. COMPLY WITH PACKAGING SPECIFICATION (2018420000-PK)

THIS DRAWING CONTAINS INFORMATION THAT IS PROPRIETARY TO MOLEX ELECTRONIC TECHNOLOGIES, LLC AND SHOULD NOT BE USED WITHOUT WRITTEN PERMISSION												
<b>QUALITY SYMBOLS</b> FA = 0 FE = 0 FB = 0 FV = 0 FC = 0 FX = 0 FS = 0 FT = 0		<b>REVISOR</b> EC NO: 114338 DRWN: NCSR CHK'D: KPRASAD APPR: KPRASAD			<b>REVISIONS</b> 2017/03/15 2017/03/16		<b>GENERAL TOLERANCES (UNLESS SPECIFIED)</b> ANGULAR TOL ± ° 4 PLACES ± 3 PLACES ± 0.05 2 PLACES ± 0.1 1 PLACE ± 0.2 0 PLACES ±		DIMENSION UNITS: MM SCALE: 2:1 DRWN BY: RMV02 DATE: 2016/11/22 CHK'D BY: DATE: APPR BY: KPRASAD DATE: 2017/02/08		 <b>MULTICAT VERT HDR ASSY</b> <b>WTB IN-LINE</b> <b>PRODUCT CUSTOMER DRAWING</b>	
<b>REVISIONS</b> B		<b>DRAFT WHERE APPLICABLE MUST REMAIN WITHIN DIMENSIONS</b>		DRAWING SIZE: A3 THIRD ANGLE PROJECTION		SERIES: 201842 MATERIAL NUMBER: SEE TABLE CUSTOMER: GENERAL MARKET						
RELEASE STATUS: P1 RELEASE DATE: 16.03.2017 04:02:42		DOCUMENT NUMBER: 2018420000-SD DOC TYPE: PSD DOC PART: 000 SHEET NUMBER: 1 OF 2										

NO.	ASSEMBLY		HOUSING
	PART NUMBER	DESCRIPTION	COLOR
1	2018421030	MULTICAT VERT HDR ASSY 1X3 KEY A	BLACK
2	2018421031	MULTICAT VERT HDR ASSY 1X3 KEY B	GRAY
3	2018421040	MULTICAT VERT HDR ASSY 1X4 KEY A	BLACK
4	2018421041	MULTICAT VERT HDR ASSY 1X4 KEY B	GRAY



<b>QUALITY SYMBOLS</b> FA = 0 FE = 0 FB = 0 FV = 0 FC = 0 FX = 0 FS = 0 FT = 0	THIS DRAWING CONTAINS INFORMATION THAT IS PROPRIETARY TO MOLEX ELECTRONIC TECHNOLOGIES, LLC AND SHOULD NOT BE USED WITHOUT WRITTEN PERMISSION		DIMENSION UNITS: MM SCALE: 2:1		
	EC NO: 114338 DRWN: NCSR CHK'D: KPRASAD APPR: KPRASAD	2017/03/15 2017/03/16	GENERAL TOLERANCES (UNLESS SPECIFIED) ANGULAR TOL ± ° 4 PLACES ± 3 PLACES ± 0.05 2 PLACES ± 0.1 1 PLACE ± 0.2 0 PLACES ±	DRWN BY: RMV02 DATE: 2016/11/22 CHK'D BY: DATE: APPR BY: KPRASAD DATE: 2017/02/08	
DRAFT WHERE APPLICABLE MUST REMAIN WITHIN DIMENSIONS	A3	THIRD ANGLE PROJECTION	DRAWING SIZE: A3	DOCUMENT NUMBER: 2018420000-SD DOC TYPE: PSD DOC PART: 000 SHEET NUMBER: 2 OF 2	